



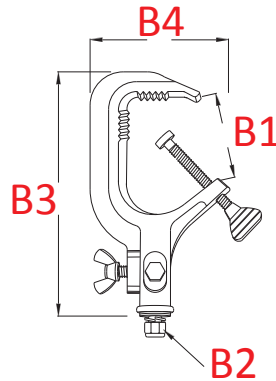
CASTING CLAMP

C-01 Steel Iron Casting Clamp

Similar design to C-05 clamp but with iron casting material and without spigot, it is heavier and stronger. Fits tube from 48-51 mm. Standard finish in black.



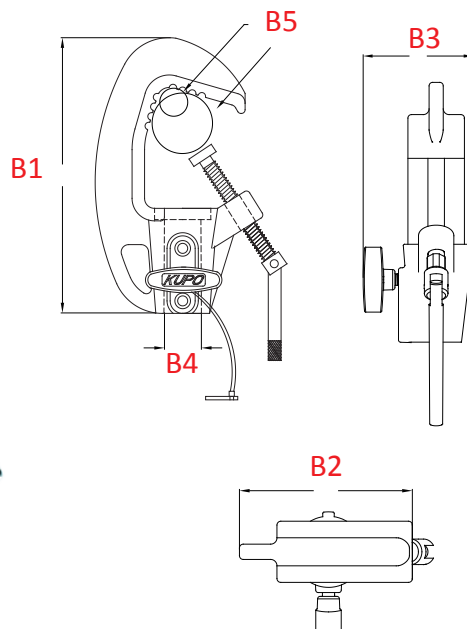
C-01
Black



SWL	100 KG
B1	Ø 48-51 mm
B2	7/16"-14
B3	178 mm
B4	98 mm

KCP-100B T.V. Clamp

The KCP-100 T.V. Clamp is a heavy duty casting C clamp and supplied with a Tommy bar to improve grip. It terminates in a 28mm(1-1/8") junior receiver. Collar ring on bushing for supplied safety hitch pin to pass through fixture spigot. There is a dedicated aperture in clamp body for attaching safety cable. This clamp works for diameter from 22-54mm round tube with load capacity 100kgs. It is ideal to hang all types of luminaries in T.V. studio and theaters.



SWL	100 KG
B1	220 mm
B2	120 mm
B3	90 mm
B4	Ø 29 mm
B5	Ø 22-54 mm



STEEL HOOK CLAMP

C-02 Steel Hook Clamp

C-02 is industrial standard hook clamp made of 6mm x25mm rolled steel with protective tab for positive rigging to 48-51mm barrel or truss without damaging the tube. Standar finish is Galvanized or black powder coating.



C-02TN-P



C-02N-P



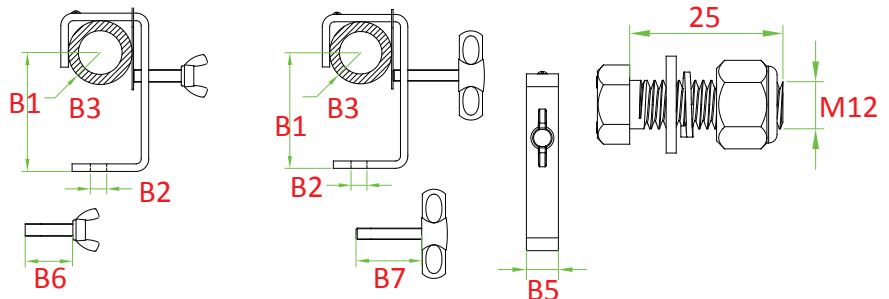
C-02TBN



C-02BN



Part Number	Color	Knob	M12 Bolt & Nylon nut	Protective tap	
C-02	Silver	Wing Nut	-	-	
C-02N		Wing Nut	Yes	-	
C-02T		T-Handle	-	-	
C-02TN		T-Handle	Yes	-	
C-02-P		Wing Nut	-	Yes	
C-02N-P		Wing Nut	Yes	Yes	
C-02T-P		T-Handle	-	Yes	
C-02TN-P		T-Handle	Yes	Yes	
C-02B		Black	Wing Nut	-	-
C-02BN			Wing Nut	Yes	-
C-02TB			T-Handle	-	-
C-02TBN			T-Handle	Yes	-
C-02B-P	Wing Nut		-	Yes	
C-02BN-P	Wing Nut		Yes	Yes	
C-02TB-P	T-Handle		-	Yes	
C-02TBN-P	T-Handle		Yes	Yes	



C-02	SWL	40 KG	B1	94 mm	B2	∅ 13 mm	B3	∅ 48-51 mm
	B4	226 mm	B5	25 mm	B6	40 mm	B7	55 mm

Note: C clamp is to be used for vertical only. For anything rigging over 30 degree angle or over hanging is suggested to use half coupler.



STEEL HOOK CLAMP

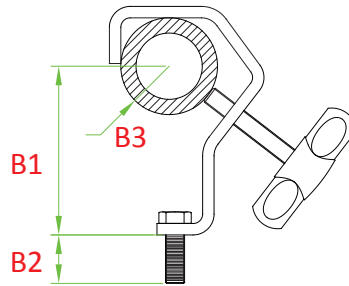
C-03 Steel Hook Clmap

C-03 is heavy duty G clamp of 6mm x 32mm rolled steel. T handle pipe bolt offers an easy grip on standard 2" (51mm) tube or sqaure pipe. The clamp is supplied with welded yoke bolt and wing nut. Standard finish in black



C-03

Black



SWL	40 KG
B1	88 mm
B2	34 mm
B3	Ø 48-51 mm
BOLT	3/8"- 16

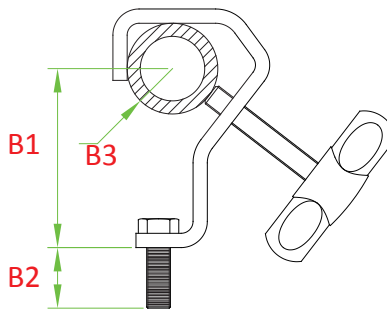
C-03S Steel Hook Clamp for 1.5" tube

C-03S is the miniature size of standard C-03 clmap to fit tube 1.5"



C-03S

Black



SWL	40 KG
B1	75 mm
B2	34 mm
B3	Ø 38 mm
BOLT	3/8"- 16

C-04 Steel Hook Clamp

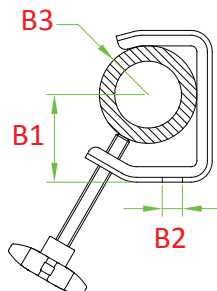
C-04 steel G clamp is suitable for securing Pin spot or D.J. effect lighting on 25-50mm tube

Standard finish in black



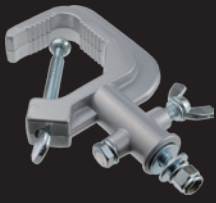
C-04

Black



BOLT

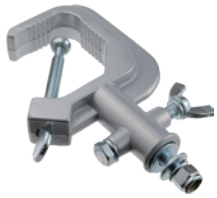
SWL	10 KG
B1	45 mm
B2	Ø 8 mm
B3	Ø 25-51 mm
BOLT	M8 x 75mm



ALUMINUM ALLOY HOOK

C-05 Aluminum Alloy Hook Clamp

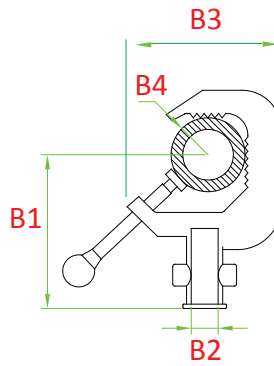
Light weight aluminum die casting hook clamp comes with a dia.17mm spigot (Dabo) with 3/8"-16 bolt for fixture yoke. Intend for rigging Par can and lightweight fixtures. A wing bolt allows no tool loosen to do pan adjustment quick and safe. The pipe bolt builds with truss protector to avoid possible truss damage. It is designed for finger tight only and overhanging is not suggested.



C-05 Silver



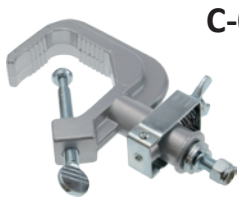
C-05B Black



SWL	40 KG
B1	107 mm
B2	Ø 18.5 mm
B3	106 mm
B4	Ø 30-51 mm

C-05QP Quick Release Aluminum Alloy Hook Clamp

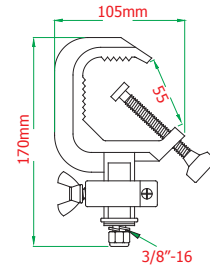
The same as C-05 hook clamp but with a spring release collar to lock spigot automatically and push to release quickly.



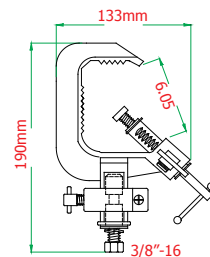
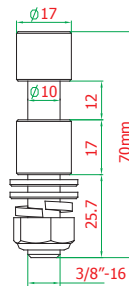
C-05QP

KS-013

Ø 17mm spigot(Dabo) with washer & lock nut for C-05 family.



C-05NQP



C-05NQP Quick Action Aluminum Alloy Hook Clamp

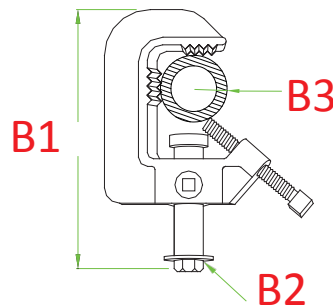
The similar hook clamp likes C-05QP but with a quick action pipe bolt. It allows a fast locking and unlocking.



IRON CASTING CLAMP

C-06 Heavy Duty Iron Casting Clamp

The old C clamp or pipe clamp is designed for most hanging applications. Intend for use from 1-1/2" to 2" O.D. iron pipe in theater. 2-1/2" long steel shaft with 1/2"-13 yoke bolt and wash. A square head pan set screw allows you to rotate the fixture. Comes in black powder coat finish.

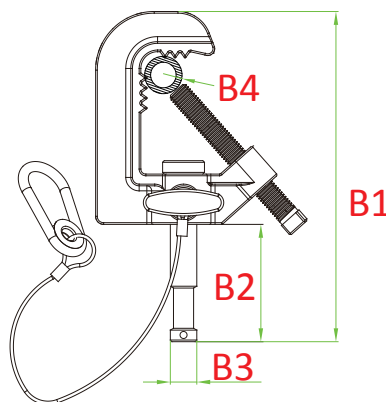


SWL	100 KG
B1	170 mm
B2	1/2"-13
B3	Ø 38-51 mm

Note: when using c-clamps care must be taken do not over-tight the pipe bolt which affixes the clamp to the batten. If this bolt is over-tighten, it can easily dimple or "drill" into the batten seriously compromising the strength of the batten. A finger tight plus half turn with the wrench is all that required.

C-16 Baby Pipe Clamp

It is identical old C clamp but terminated with 16mm baby stud. The collar on the top of baby pin keeps it safety for pan adjustment of luminaries while the knob of clamp is loosened. The safety wire is also built with the clamp to ensure this essential safety aid is always on hand.



SWL	100 KG
B1	197 mm
B2	70 mm
B3	Ø 16 mm
B4	Ø 38-51 mm



STEEL HOOK CLAMP

C-07 Double Hook clamp

C-07 steel double hook clamp family is made of the same material as C-02 hook clamp but with double ended parallel hook to accept 48-51mm tube. It is suitable for connecting and suspending a lighting bar and ladder truss beneath an existing rigs and setups. Galvanized is standard finish, black is available to specify.



Steel Double Clamp

- C-07B 132mm center-to-center
- C-07C 297mm center-to-center
- C-07D 597mm center-to-center

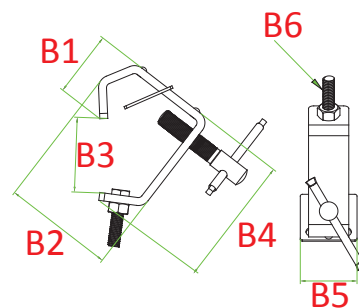
C-07B	SWL	40 KG	B1	132 mm	B2	25 mm	B3	Ø 48-51 mm
C-07C	SWL	40 KG	B1	297 mm	B2	25 mm	B3	Ø 48-51 mm
C-07D	SWL	40 KG	B1	597 mm	B2	25 mm	B3	Ø 48-51 mm

C-12 Heavy Duty Steel G Clamp

C-12 is made of 8mm x 38mm rolled steel with protective tab. A Tommy bar is included to provide a better leverage to tighten the pipe. It is ideal for hanging big lighting fixture like moving head and scanner. Fits tube size from 40-60mm. It is supplied with a welded M12 yoke bolt and nut. Standard finish in galvanized.



- C-12 Silver
- C-12B Black



SWL	40 KG	B1	64 mm	B2	109 mm	B3	72 mm	B4	127 mm
		B5	55 mm	B6	M12 x 1.75	TUBE			Ø 40-60 mm



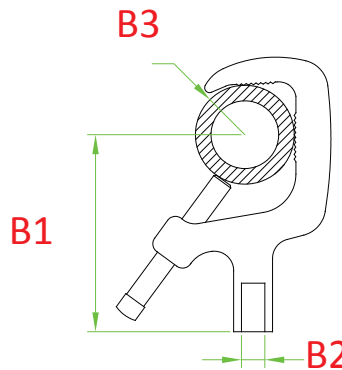
ALUMINUM ALLOY CLAMP

C-08 Aluminum Extrusion Clamp

The C-08 clamp is made from high tensile extruded aluminum. It is light weight and strong hanging hardware for conventional fixture. The interior teeth of clamp are designed to grip the tube from 1" to 1/4" tube. With 1/2"-13 yoke bolt and washer. Black Anodized finish.



**C-08
Extrusion Clamp**



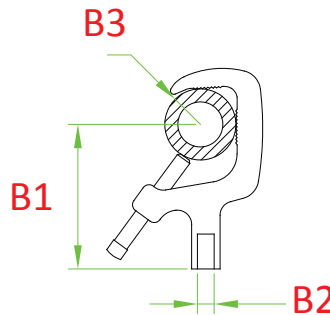
SWL	275 KG
B1	597 mm
B2	1/2"-13
B3	Ø 32-51 mm

C-09 Mini Aluminum Extrusion Clamp

C-09 clamp is same profile as C-08 but with miniature size. It is ideal for hanging fixture like Par16 birdie or LED fixture on to a tube from 1" to 1-1/4" tube. with 5/16"-18 yoke bolt and washer



**C-09
Mini
Extrusion Clamp**



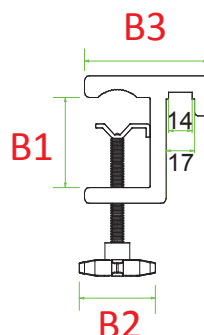
SWL	55 KG
B1	297 mm
B2	5/16"-18
B3	Ø 26-32 mm

C-10 Tiny Clamp

C-10 tiny clamp is made for tube Ø 12-36mm and square plate thickness 10-45mm. The double level countersunk accepts M10 and 3/8 bolts. It can accommodate optional 16mm socket (KS-062), and turn to be a tiny fixing point for photographic lighting fixtures.



**C-10
Tiny Clamp**



B1	54 mm
B2	45 mm
B3	74 mm
Level sunk	14 & 17 mm

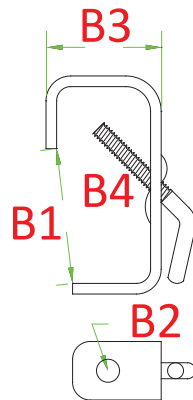


STEEL HOOK CLAMP

Steel Hook Stage Clamp



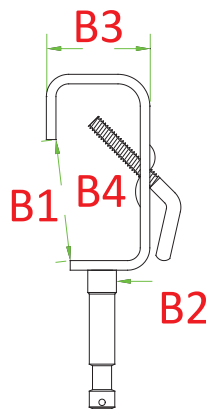
KCP-702



Stage Clamp with 14mm Hole



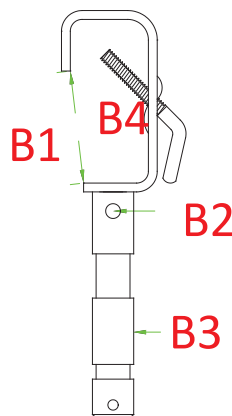
KCP-703



Stage Clamp with 16mm Stud



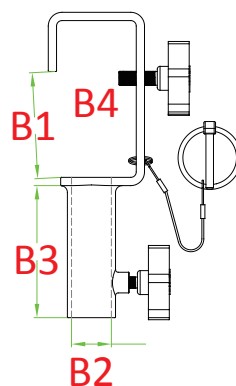
KCP-704



Stage Clamp with 28mm Stud



KCP-705



Stage Clamp with 29 Socket

KCP-702

SWL	40 KG
B1	75 mm
B2	∅ 14 mm
B3	65 mm
B4	∅ 38-51 mm

KCP-703

SWL	40 KG
B1	75 mm
B2	∅ 16 mm
B3	65 mm
B4	∅ 38-51 mm

KCP-704

SWL	40 KG
B1	75 mm
B2	∅ 10 mm
B3	∅ 28 mm
B4	∅ 38-51 mm

KCP-705

SWL	40 KG
B1	77 mm
B2	∅ 29 mm
B3	96 mm
B4	∅ 38-51 mm